



Big Dutchman

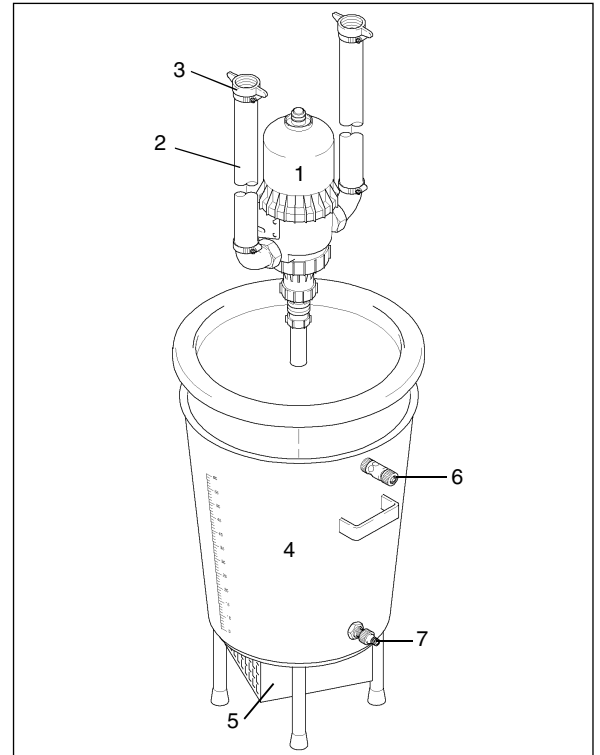
Medicator with mixer



**For precise metering
via drinking water**

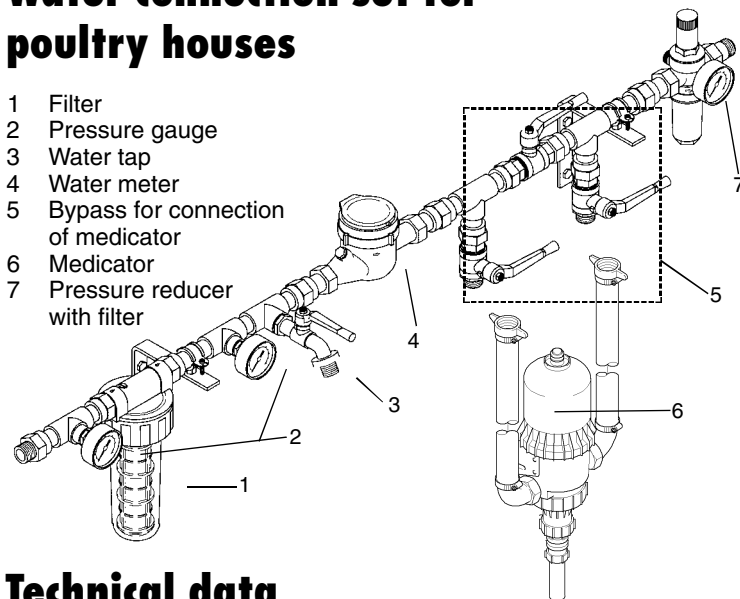
Medicator – for safely supplying all birds and animals with vitamins or medicines via their drinking water

The Big Dutchman medicator is installed in the water pipe and meters the desired vitamins or medicine into the birds' or animals' drinking water. The quantity to be metered can be adjusted very accurately and the preparations are adjusted pro-rata to the water consumption. The water and the appropriate preparation are only mixed at the homogeniser outlet. Thus no part of the supply shaft comes into contact with the medication, avoiding obstructions and resulting in a longer service life. In the case of soluble medicines, the medicator shaft draws the preparation straight from the bottle by suction. In the case of medicines in powder or viscous liquid form, the mixing tank (Code No. 30-61-3105) with a capacity of 60 litres should be used. An air-cooled rotary pump mixes the preparation into the drinking water for the duration of metering. The integrated ball valve ensures residue-free use of the preparation and automatic rinsing of the tank after medication is complete. Thanks to its screw fitting, the medicator is easy to assemble. One unit can supply several houses.



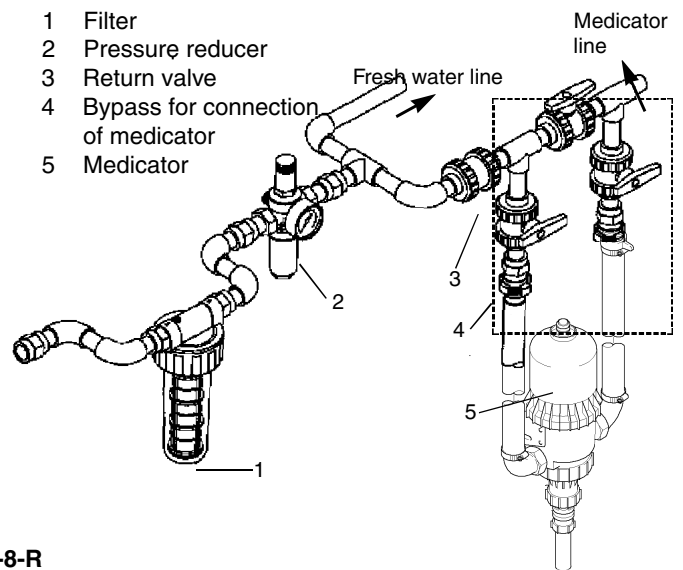
- Key:**
- | | |
|-------------------------|------------------------------|
| 1 Medicator | 4 Mixing tank |
| 2 Hose connection | 5 Rotary pump 220 V, 50 Hz |
| 3 Screw fitting of hose | 6 Connection for supply line |
| | 7 Connection for ball valve |

Water connection set for poultry houses



- | | |
|---|------------------------------------|
| 1 | Filter |
| 2 | Pressure gauge |
| 3 | Water tap |
| 4 | Water meter |
| 5 | Bypass for connection of medicator |
| 6 | Medicator |
| 7 | Pressure reducer with filter |

Water connection set for pig houses



- | | |
|---|------------------------------------|
| 1 | Filter |
| 2 | Pressure reducer |
| 3 | Return valve |
| 4 | Bypass for connection of medicator |
| 5 | Medicator |

Technical data

Type	DI-16	DI-150	D-8-R
Code No.	30-61-3040	30-61-3045	30-61-3055
Code No. (incl. connection set)	30-61-3001	30-61-3002	30-61-3060
Water passage (l/h)	10-2500	10-2500	500-8000
Metering range (%)	0.2-1,6	1-5	0.2-2
Pressure range (bar)	0.3-6	0.3-6	0.15-8
Max. temperature (°C)	50	50	50

Please also refer to operating and maintenance instructions.



Big Dutchman

Big Dutchman International GmbH • P.O. Box 1163 • D-49360 Vechta, Germany
 Tel. +49(0) 4447/ 801-0 • Fax +49(0) 4447/ 801-237
 Internet: www.bigdutchman.de • E-Mail: big@bigdutchman.de